



LASER AMMO
TRAINING TECHNOLOGIES

For models:
RETP- LA-1911GG and RETP-LA 1911CO2
RETP-LA- M9GG and RETP - LA - M9CO2
(in both Red and IR versions)









USER GUIDE

RECOIL ENABLED LASER TRAINING PISTOL

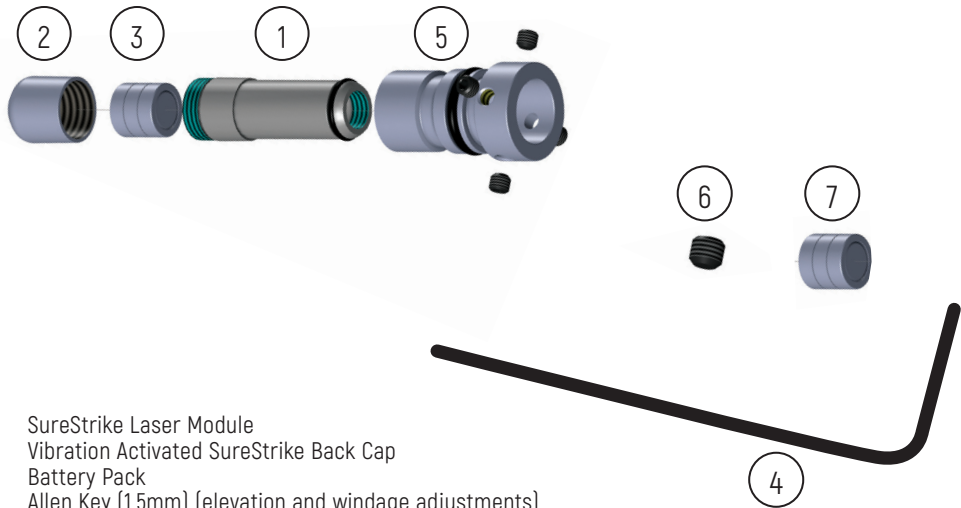
Safe and realistic way to train

Before using Laser Ammo products, please read user guide in full

INTRODUCING & SAFETY

-  It is important for your safety that you read the complete user guide before using the recoil enabled training pistol.
-  This user guide covers both RETP-LA-1911 and RETP-LA-M9. The laser system, and many of the operational instructions are the same for both models. In cases where the instructions are different between the two models, the user guide will specifically mention each variation.
-  The Recoil Enabled Training Pistol is a training gun used with Laser Ammo electronic targets or the Smokeless Range Simulator®
-  The Recoil Enabled Training Pistol cannot shoot pellets or BBs. Do not attempt to do so.
-  Although the SureStrike™ is class 1 eye safe laser, aiming the laser directly to the eye may cause serious damage. Do not attempt to aim the pistol at a person or animal.
-  Although the Recoil Enabled Training Pistol cannot shoot any projectiles, building the proper muscle memory for gun safety is extremely important. Make sure to apply the fundamentals of gun safety with the Recoil Enabled Training Pistol when in use.
-  Please make sure to clean, oil and store the Recoil Enabled Training Pistol as if it were a real gun.
-  For optimal battery life, please make sure to remove the battery from the laser at the end of every training session.

PARTS ASSEMBLY



1. SureStrike Laser Module
2. Vibration Activated SureStrike Back Cap
3. Battery Pack
4. Allen Key (1.5mm) (elevation and windage adjustments)
5. Cartridge Retainer & Adjustment Screws (4)
6. Spare Screw (1)
7. Spare Battery

LASER ASSEMBLY

Please make sure to have the SureStrike™ Laser Cartridge outside of the barrel for the following steps: Open the SureStrike™ Laser Cartridge by unscrewing the cap (2) from the body. Take your SureStrike™ Laser Cartridge (1) and insert the battery (3) flat side "+" facing up, towards the cap (2). Take the cap (2) and thread it onto the laser body (1). Screw the cap on snugly, do not over tighten.

Tap on the laser cartridge cap to ensure the laser is working (Remember, if the laser is IR, you will not be able to see it). Insert the laser cartridge assembly into the cartridge retainer (5) with the laser side (1) entering the retainer. Make sure the screws are loosened enough to allow the SureStrike™ Laser Cartridge to seat at the end of the retainer. Gently tighten the alignment screws evenly from all sides. Screw the retainer (5) and cartridge (1) into the barrel (6) until it is snugly secured.

Tip: To check an IR laser please use one of Laser Ammo electronic targets (LaserPET II or IMTTS), the Smokeless Range® Simulator, or in some cases, you can use your Smartphone camera.

ALIGNMENT

Adjust windage and elevation using the four adjustment screws on the cartridge retainer. The screws on the right and left are for windage and the screws on top and bottom are for elevation.

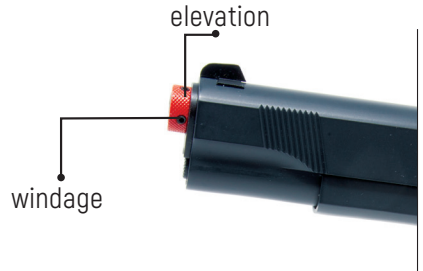
By loosening a screw on one side and tightening the screw on the opposite side, the laser cartridge can be adjusted.

For example, if the shot is low and to the left, slightly loosen the top and right screws and tighten the bottom and left screws again.

If you purchase the IR laser, you will not be able to see the shots. To align an IR laser, please use one of Laser Ammo electronic targets (LaserPET II, IMTTS), or the Smokeless Range® Simulator.

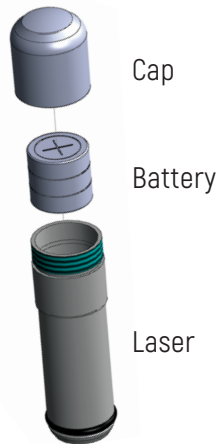
Attention

Do not over tighten the adjustment screws! They only need to be snug.



SURESTRIKE™ LASER MAINTENANCE & SERVICE

- The SureStrike™ Laser Cartridge is comprised of three components: laser, battery and cap. The cartridge is controlled by vibration.
- Laser Ammo warranties the back cap for a minimum of 5,000 shots. After that, the firing cap can be expected to wear and fail to fire the laser. If you experience such wear, contact Laser Ammo to purchase a replacement cap. Follow the battery changing procedures to replace the cap.
- This laser product is designated as Class 1 during all procedures of operation, maintenance and service. No scheduled maintenance is necessary to keep the product in compliance.
- It is strictly forbidden to modify the cartridge. Opening of cartridge is limited to battery replacement only.



SURESTRIKE™ LASER MAINTENANCE & SERVICE

Laser Safety Rules

Warning: Use of controls or adjustments or performance of procedures other than those specified herein may result in hazardous radiation exposure.

Complies with FDA performance standards for laser products except for conformance with IEC 60825-1 Ed. 3., as described in Laser Notice No. 56., dated May 8, 2019.

Laser Ammo USA Inc
PO Box 222017 Great Neck, NY 11021
SureStrike™ Laser Made in Israel.

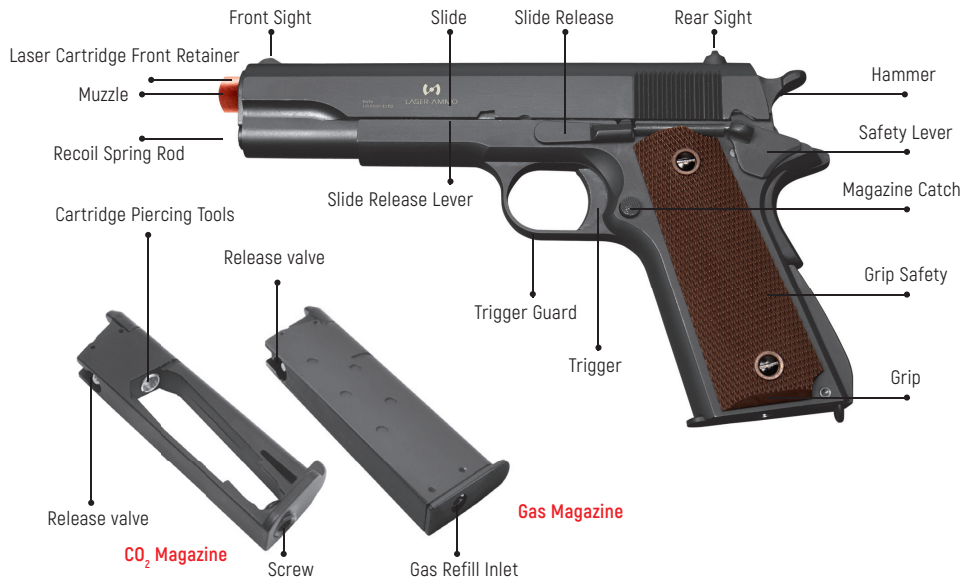
Model # _____ Lot # _____ Date _____

No liability is expressed or implied for damage or injury as a result of installation or use of this product. Warranty is limited to the replacement or repair of the original product only.

Full set of video instructions is available at: www.laser-ammo.com

CLASS 1 LASER PRODUCT
EN/EIC 60825-1 Ed 3 2014

RETP-LA-1911 PARTS DESCRIPTION



RETP-LA-M9 PARTS DESCRIPTION



GREEN GAS MAGAZINE INSTALLATION (RETP-LA-1911 & RETP-LA-M9)

⚠ WARNING

Turn the safety level selector to safe mode. Keep the selector on safe mode until you are ready to shoot.

⚠ WARNING

Green gas is flammable. Keep away from open flame when loading and during use.

Installation of Green Gas Magazine:

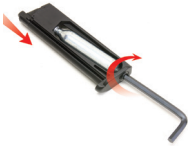


- Press the magazine catch and remove the magazine by pulling it downward.
- Turn the magazine upside down with gas refill inlet facing upwards
- Keeping the gas cylinder inverted and vertical to the magazine, inject gas until completely filled.

TIP: When you fill the magazine for the first time, please make sure to purge the magazine and get rid of the air in the magazine by pressing the release valve in the first few seconds when filling the green gas, until you see the green gas coming out of the magazine.

CO₂ MAGAZINE INSTALLATION

Installation of RETP-LA-1911 CO₂ Magazine:



TIP: The CO₂ advantage: Snappier and more realistic recoil, easy to buy CO₂ in large box retailers, CO₂ is not considered flammable. The green gas advantages: cheaper to use at the long run, the green gas includes silicon (in most cases) which lubricate the gun, easier / faster to fill the magazine.

TIP: Both models can use green gas or CO₂ Magazines. The shooter can change between the magazine on the same model pistol.

Installation of RETP-LA-M9 CO₂ Magazine:



1. Turn the screw clockwise; Press the button and hold; Pull the cover, to the right side; Release the screw by using a coin.; Insert CO₂ Cartridge into the magazine; Insert CO₂ Cartridge into the magazine; Press the button and hold.; Push the cover to the right side.

SHOOTING

WARNING

When firing this gun, the slide moves rapidly backwards and forwards (blow back action). To avoid injury, keep fingers off the slide. Do not hold pistol close to the face or head.



Always keep your finger off the trigger until you are ready to fire the gun. Make sure the muzzle is always pointed in a safe direction.



Shooting with the RETP-LA-1911:



Pull the slide backwards and release.



Blow back action
Aim the gun in a safe direction and fire at your target. The upper receiver will cycle (blow back action), allowing the pistol to fire in semi-automatic mode.

Shooting with the RETP-LA-M9:



Set the selector switch to fire mode.



Pull the slide backwards and release.

DISASSEMBLY/REASSEMBLY

TIP: We recommend not to disassemble the gun, unless if necessary.

Disassemble Slide of RETP-LA-1911



Remove the magazine and place the selector switch to fire mode. Pull back on the slide and hold like shown above. Push the slide release button. Remove the slide stop. Remove the slide.

Reassembly of the RETP-LA-1911



Install the slide. Hold the slide in place as shown above. Install the slide stop.

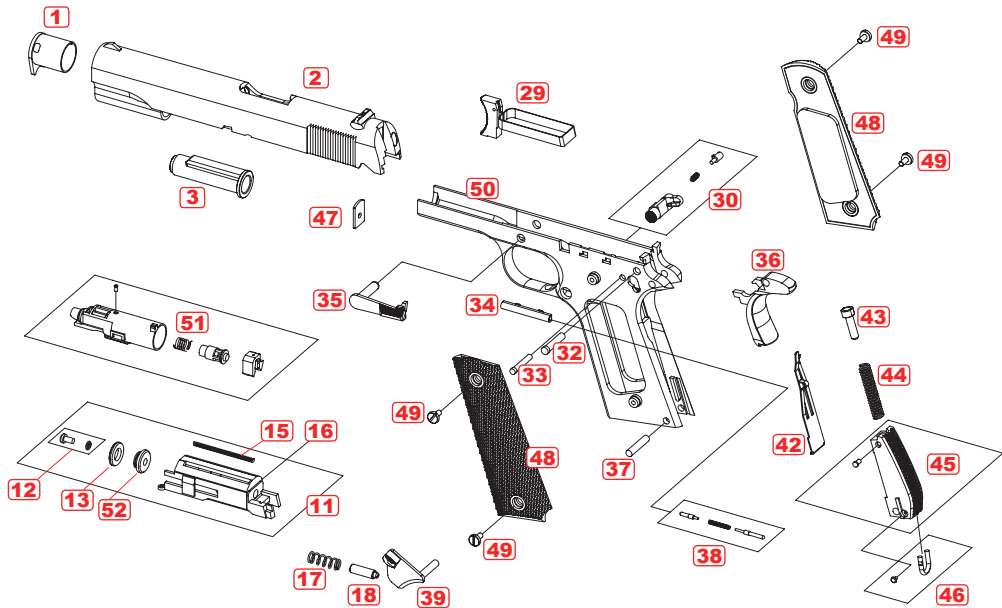
DISASSEMBLY/REASSEMBLY

Disassemble Slide of RETP-LA-M9

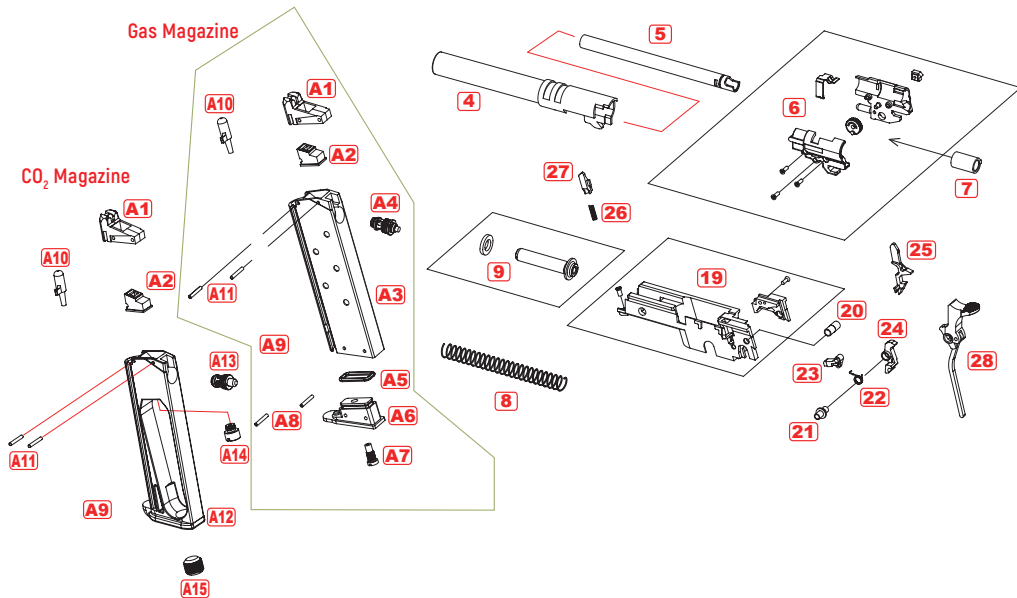


Turn the slide release lever to release mode. Press and hold the slide release button. Pull the slide forward to separate from the gun and expose the hop up adjustment.

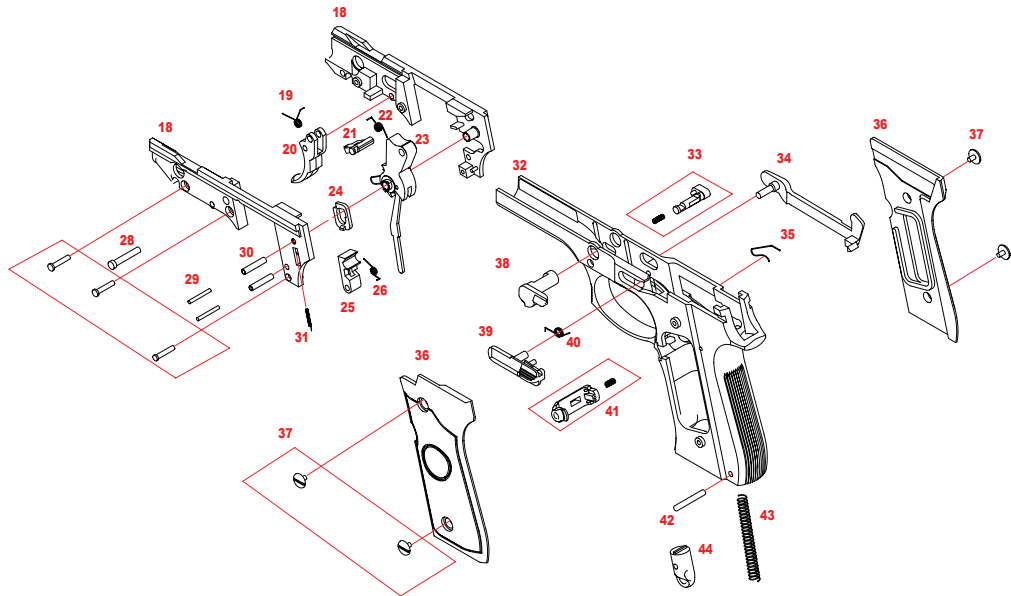
RETP-LA-1911 SCHEMATIC



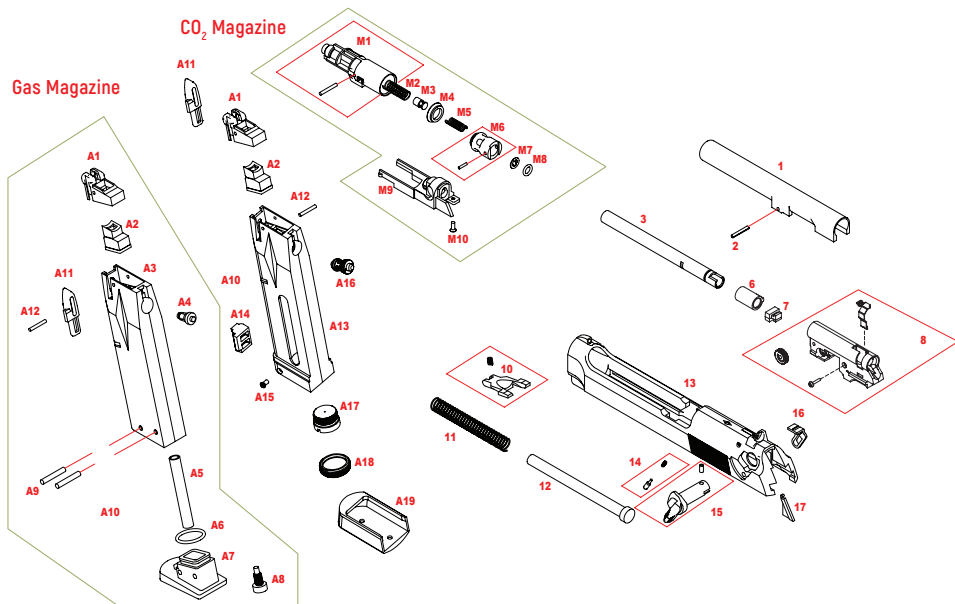
RETP-LA-1911 SCHEMATIC



RETP-LA-M9 SCHEMATIC



RETP-LA-M9 SCHEMATIC



RETP-LA-1911 PARTS LIST

NO	DESCRIPTION	NO	DESCRIPTION	NO	DESCRIPTION
1	Barrel bearing	23	Impact pin	47	Firing pin stop
2	Slide	24	Sear	48	Grip set (CO ₂ version)
3	Recoil spring plug	25	Disconnecter	49	Grip screw (CO ₂ version)
4-1	Outer barrel (longest version)	26	Shear spring	50	Lower receiver (CO ₂ version)
4-2	Outer barrel (short version)	27	Shear	51	Air nozzle (CO ₂ version)
5-1	Inner barrel (longest version)	28	Hammer set	52	Piston (CO ₂ version)
5-2	Inner barrel (short version)	29	Trigger	Magazine set	
6	Hop up chamber	30	Magazine catch	A1	Magazine lip
7	Hop up bucking	31	Lower receiver (gas version)	A2	Air Nozzle Rubber
8	Recoil spring	32	Hammer pin	A3	Magazine frame
9	Recoil spring guide	33	Sear pin	A4	Valve (gas version)
10	Air nozzle (gas version)	34	Plunger base	A5	O ring
11	Air nozzle base set	35	Slide stop	A6	Magazine base
12	Screw & O ring	36	Grip safety	A7	Gas valve
13	Piston O ring	37	Mainspring housing pin	A8	Pin
14	Piston	38	Plunger set	A9	Magazine spring
15	Nozzle spring	39	Safety	A10	Magazine bar
16	Air nozzle base	40	Grip set	A11	Pin
17	Firing pin spring	41	Grip screw	A12	Magazine frame (CO ₂ version)
18	Dummy firing pin	42	Sear spring	A13	Valve (CO ₂ version)
19	Hammer base	43	Mainspring screw	A14	Cartridge stab (CO ₂ version)
20	Hammer axle	44	Mainspring	A15	Screw
21	Sear base	45	Mainspring housing		
22	Sear spring	46	Lanyard mount		

RETP-LA-M9 PARTS LIST

NO	DESCRIPTION	NO	DESCRIPTION	NO	DESCRIPTION
1	Outer barrel	28	Trigger pin	M7/M8	CS/O ring
2	Barrel pin	29	Pin	M9	Cylinder base
3	Inner barrel	30	Brass tube	M10	Screw
6	Cushion	31	Stop plate spring	Magazine set	
7	Hop up bucking	32	Frame	A1	Magazine lip
8	Hop up chamber	33	Slide release button	A2	Air Nozzle Rubber
10	Barrel lock	34	Trigger	A3	Magazine frame
11	Recoil spring	35	Trigger link	A4	Valve
12	Recoil spring guide	36	Grip	A5	Nebulization tube
13	Slide	37	Grip screw	A6	O ring
14	Safety lever lock	38	Slide release lever	A7	Gas magazine base
15	Safety lever - L	39	Slide stop	A8	Gas valve
16	Safety lever - R	40	Slide stop spring	A9/A12	Pin
17	Safety lever bar	41	Magazine release button	A10	Magazine spring
18	Trigger base	42	Pin	A11	Magazine bar
19	Trigger spring	43	Hammer spring	A13	CO ₂ magazine frame
20	Trigger	44	Hammer spring cover	A14	Magazine frame stop
21	Hammer lever	Air nozzle set		A15	Screw
22	Hammer lever spring	M1	Air nozzle	A16	CO ₂ Magazine Valve
23	Hammer	M2	Air valve spring	A17	Cartridge stab
24	Stop plate	M3	Air valve	A18	Cartridge base cover
25	Shear	M4	Piston ring	A19	Magazine bottom
26	Shear spring	M5	Air nozzle spring		
27	Screw	M6	Piston		

WARRANTY

LASER AMMO USA INC WARRANTIES THE SURESTRIKE™ LASER CARTRIDGE FOR THE EARLIER BETWEEN: 1 YEAR OR 5,000 SHOTS, AND THE RECOIL GUN AND MAGAZINES FOR A PERIOD OF 3 MONTHS ONLY, with the following conditions:

Laser Ammo warrants that the Recoil Enabled Laser Training Pistol shall have a limited, nontransferable warranty, from material defects and defects in workmanship for:

The SureStrike™ Laser Cartridge: the **earlier** occurrence of: A period of one (1) year from the date of the purchaser's receipt of the product or B. Minimum of 5,000 shots. And for the pistol, magazines and other accessories for 90 days starting at the day of the purchase.

Laser Ammo reserves the right to inspect the product before honoring the warranty.

Laser Ammo's warranty is limited solely to the above and applies only for the period set forth.

WHAT IS COVERED Replacement parts and labor. **WHAT IS NOT COVERED** Shipping charges to Laser Ammo USA for defective product and damages caused by abuse or failure to perform normal maintenance as well as any other expense. Consequential damages, or incidental expenses, including damage to property.

Some states do not allow the exclusion or limitation of incidental or consequential damages, so the above limitation or exclusion may not apply to you.

WARRANTY CLAIMS: Warranty Claims and Repair contact Laser Ammo USA (516)-858-1626 / info@laser-ammo.com, and for Europe customers contact Laser Ammo Europe : +46 (0)18-951115 , info@laser-ammo.se and ask for the Service Department.

If it is determined a return is necessary, you will be issued a Return Authorization Number. Write this number boldly on the box and return the product to Laser Ammo USA. Your name, address, phone number and a note explaining the defect found must be included in the package. A copy of the original dated cash register receipt must accompany the return.

IMPLIED WARRANTIES

Any implied warranties, including the implied warranties of merchantability and fitness for a particular purpose, are limited in duration to 90 days from date of retail purchase. Some states do not allow limitations on how long implied warranty lasts, so the above limitations may not apply to you. to the extent any provision of this warranty is prohibited by federal, state, or municipal law; which cannot be preempted, it shall not be applicable. this warranty gives you specific legal rights, and you may also have other rights, which vary from state to state and country to country.

Laser Ammo's warranty does not cover any damage to the product that results from: physical abuse, disassembly, internal upgrades, excessive use, commercial use, results from improper installation, accident, misuse, natural disaster, insufficient or excessive electrical supply, abnormal mechanical or environmental conditions, or any unauthorized disassembly, repair, or modification.

Laser Ammo will not be liable for any loss, damage, direct, incidental or consequential damages of any kind, whether based upon warranty, contract, negligence, or strict liability, or arising in connection with the sale or use of the product by the user or any third party.

This limited warranty does not apply to any product on which the original identification information has been altered, obliterated or removed.

Laser Ammo will, at its sole option, either repair or replace any part of the product that proves defective by reason of improper workmanship or materials.

In all events, Laser Ammo's maximum liability to the purchaser related to any warranty claim or defect with respect to the product shall not exceed the contract price for the specific product claimed to be defective or unsuitable, or alleged to have been the cause of any damage to the purchaser or any third party.



LASER AMMO
TRAINING TECHNOLOGIES

Product of Laser Ammo USA, Inc.
Phone: [516] 858-1262 [U.S.]

www.laser-ammo.com
info@laser-ammo.com